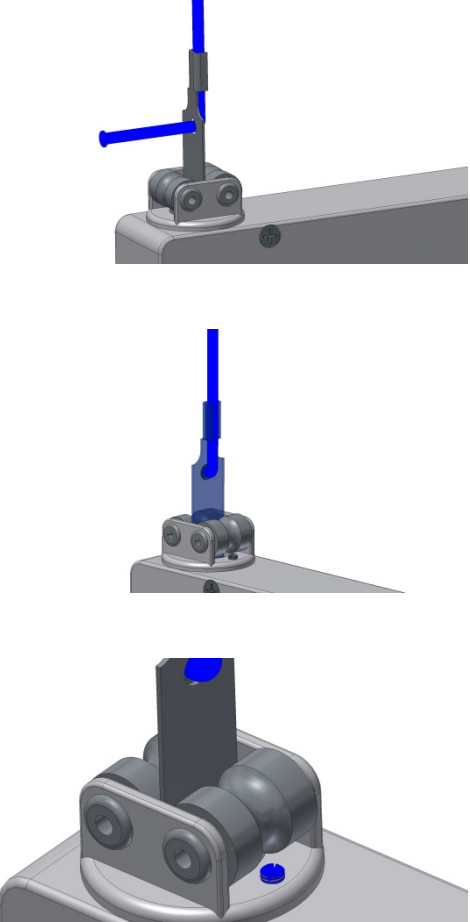
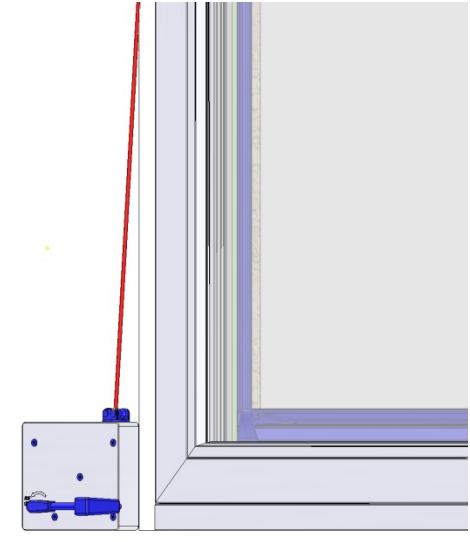


**Gearcoil: Fixing the pull cord**

Step No.	Operation	Note	Check
10	<p>Fixing the cord to the gearcoil</p> <ul style="list-style-type: none"> <li>- The length of the cord should be dimensioned in a way that it is reeled up approx. 1m before the roller shutter moves upwards</li> <li>- Pull the cord through the drill hole of the metal strip and melt the end with a cigarette lighter and press the melted end against the metal strip.</li> <li>- Tighten the pull cord along the metal strip and press both flags with pliers against the cord</li> <li>- If applicable align the deflection on the gear coil to the cord guidance and fix it again with the screw.</li> </ul>		
20	<p>Completion of the installation and test run</p> <ul style="list-style-type: none"> <li>- Tighten the cord and by turning the crank in the UP-direction wind it into the gear coil</li> </ul> <p><u>Attention:</u></p> <p>The case should under no circumstances be opened, because the spring-assisted self-locking of the gear coil can only be reassembled with special tools.</p> <p>To change an already built in pull cord proceed in reverse order. The metal strip can be pulled out using pliers.</p> <p>Carry out danger and usage instruction with the customer and hand over the provided documentation.</p>		<ul style="list-style-type: none"> <li>- Mind the given direction of rotation of the crank</li> </ul>